

TRACKER XX00

Supporting reflector sizes from 2.4m to 7.3m

Typical Data for the Tracker XX00

PARAMETER	4.5m	5m	6m
Reflector Size	4.5m	5m	6m
Antenna Design	Prime Focus	Prime Focus	Prime Focus
Radome Size	5.5m	6.0m	8.5m
Radome Composition	Composite A sandwich	Composite A sandwich	Composite A sandwich
Tx Gain	See below table	See below table	See below table
Rx Gain	See below table	See below table	See below table
G/T	27.5 dB/K	28 dB/K	29.6 dB/K
LNB Gain (Typical)	70 dB	70 dB	70 dB
Power Consumption	300 w	300 w	~300 w
Input Power	110/220 VAC 50/60 Hz	110/220 VAC 50/60 Hz	110/220 VAC 50/60 Hz
IF Frequency	950 -1950 MHz	950 -1950 MHz	950 -1950 MHz
Pointing Accuracy	<.1°	<.1°	<.1°
Wind	155 mph	155 mph	155 mph
Temp	-40° C to 55° C	-40° C to 55° C	-40° C to 55° C
Warranty	3 Years Parts & Labor	3 Years Parts & Labor	3 Years Parts & Labor years

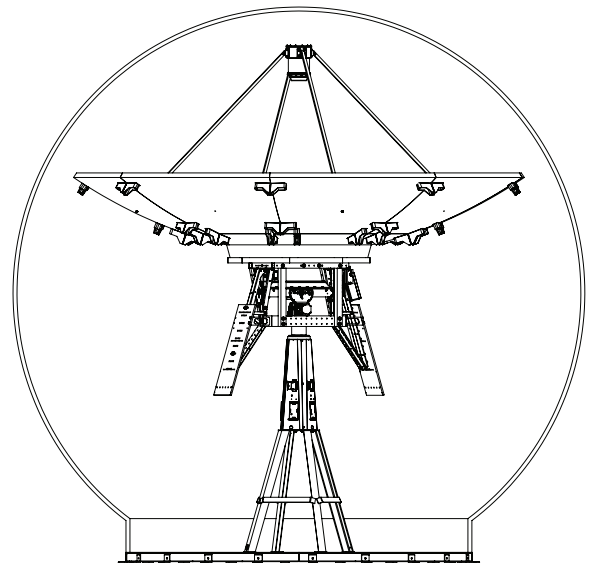
Typical Data for Media Xchange Point (MXP)

- Standard 19 inch 1U Rack Mount. (Slide Rails Optional)
- 43 x 43 x 4.35 cm / 17 x 17 x 1.75 in
- 110/220VAC, 47-63 Hz, Single Phase
- 3.0 kgs / 6.6 lbs
- 4 Ethernet Ports
- 1 SMA connector (Rx from RJ)
- 1 F connector (RJ to diplexer)
- 8 status LED's
- USB device (Mini B)
- 2 RS-232 pass through ports
- 1 NMEA RS-232 serial port
- 1 RS-232 console port
- SBS & Synchro gyro inputs
- Aux 1N1 & Aux 1N2
- SW1,SW2,SW3,SW3A,SW4,SW4A (I/O)

Prime Focus (Typical)

		Prime Focus (Typical)		
		4.5m	5m	6m
S Band	Tx Gain	37.2 dBi	38.2 dBi	39.8 dBi
	RX Gain	38 dBi	39 dBi	40.6 dBi
	G/T	18 dB/K	19 dB/K	20.5 dB/K
C Band	Tx Gain	46.9 dBi	47.9 dBi	49.5 dBi
	RX Gain	43 dBi	44 dBi	45.6 dBi
	G/T	22.5 dB/K	23.5 dB/K	25 dB/K
X Band	Tx Gain	49.4 dBi	50.4 dBi	52 dBi
	RX Gain	48.7 dBi	49.7 dBi	51.3 dBi
	G/T	27.4 dB/K	28.4 dB/K	29.9 dB/K
Ku Band	Tx Gain	55.4 dBi	56.4 dBi	58 dBi
	RX Gain	52.6 dBi	53.6 dBi	55.2 dBi
	G/T	30.8 dB/K	31.8 dB/K	33.3 dB/K

* High Efficiency Custom RF (cassegrain w/splash plate) available upon request



Tracker xx00 satellite antenna system in the radome.

MIL-SAT
Global Communications

318 Bank Street
Surry, VA 23883
+1 (757) 294-9393
www.mil-sat.com

For further information please contact:

Rob Lamphire
Executive Vice President
Rob@mil-sat.com
+1 (757) 645-6288
www.mil-sat.com